

4

3

2

1

REVISIONS

REV	DESCRIPTION	DATE	APPROVED
A	RELEASED		

A

A

B

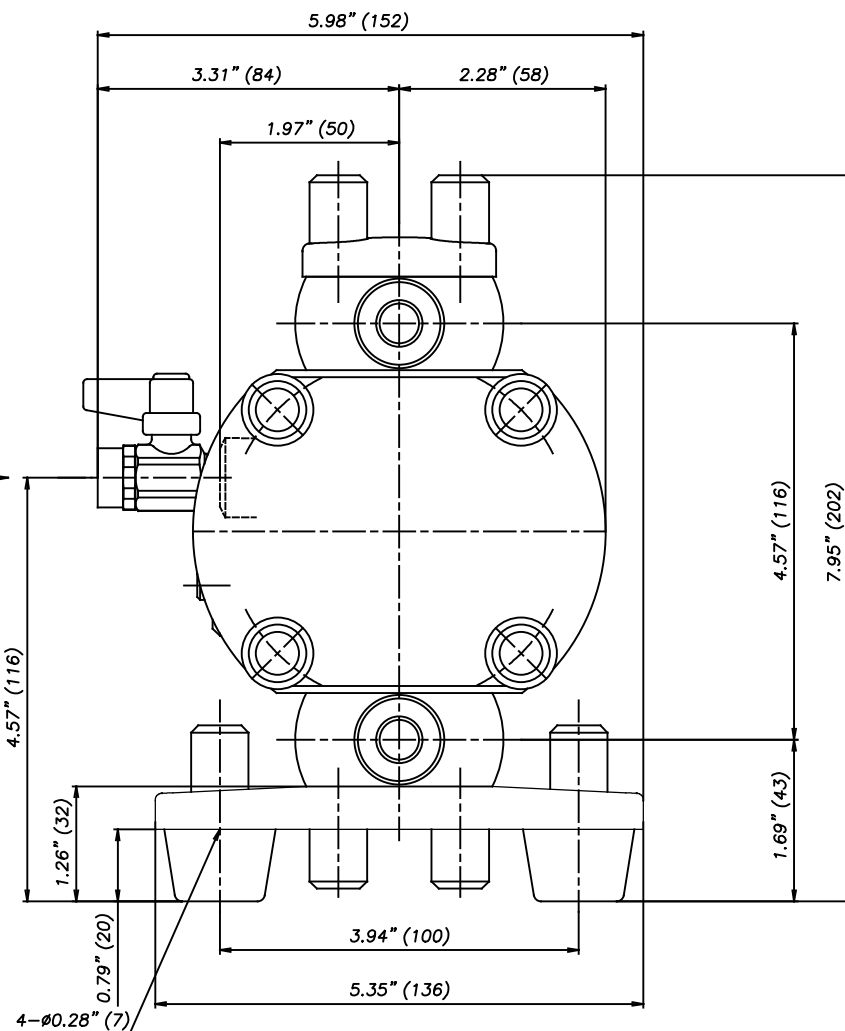
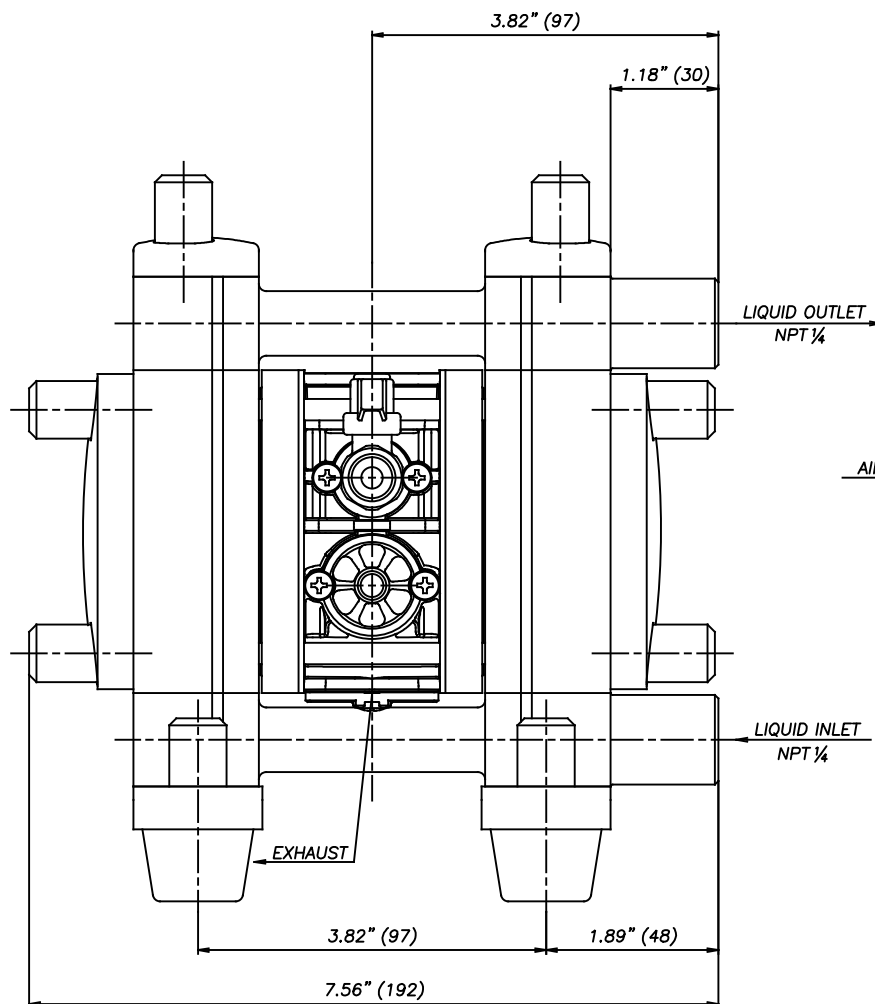
B

C

C

D

D



NOTES:
1. SOME FEATURES MAY VARY SLIGHTLY.

PROPRIETARY

THIS DRAWING CONTAINS CONFIDENTIAL INFORMATION PROPRIETARY TO IWAKI AMERICA. IT MUST NOT BE REPRODUCED OR FORWARDED TO OTHERS OR USED IN ANY OTHER WAY, IN WHOLE OR IN PART, UNLESS AUTHORIZED IN WRITING BY IWAKI AMERICA.

TOLERANCES

DIMENSIONS IN INCHES UNO

UNLESS OTHERWISE NOTED
X = .050
XX = .010
XXX = .00

DEBURR AND BREAK ALL SHARP EDGES

MATERIAL

SEE CHART

BY

BW

DATE

3/13/2026

SIZE

B

DWG NO.

TC-X00215

DESCRIPTION

TC-X031TTN

REV

A

APPROVED

DATE

SCALE: FULL



THIRD ANGLE PROJECTION

SHEET:

1 OF 1



www.IwakiAir.com

5 Boynton Rd.
Hopping Brook Park
Holliston, MA 01746
(508) 429-1440

4

3

2

1

4

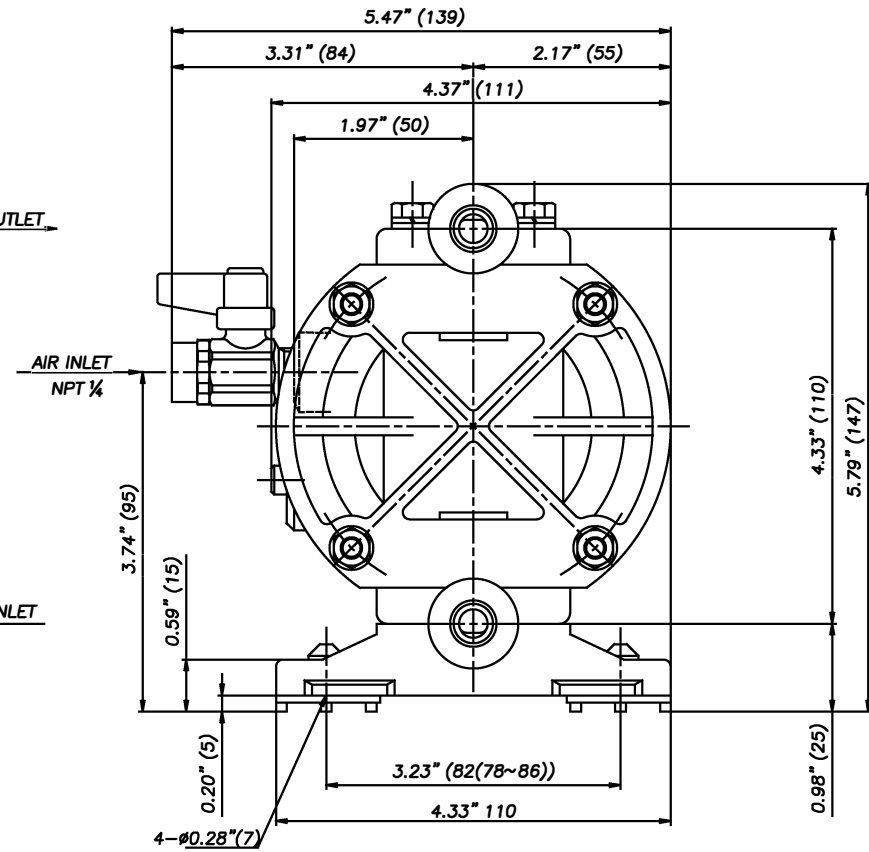
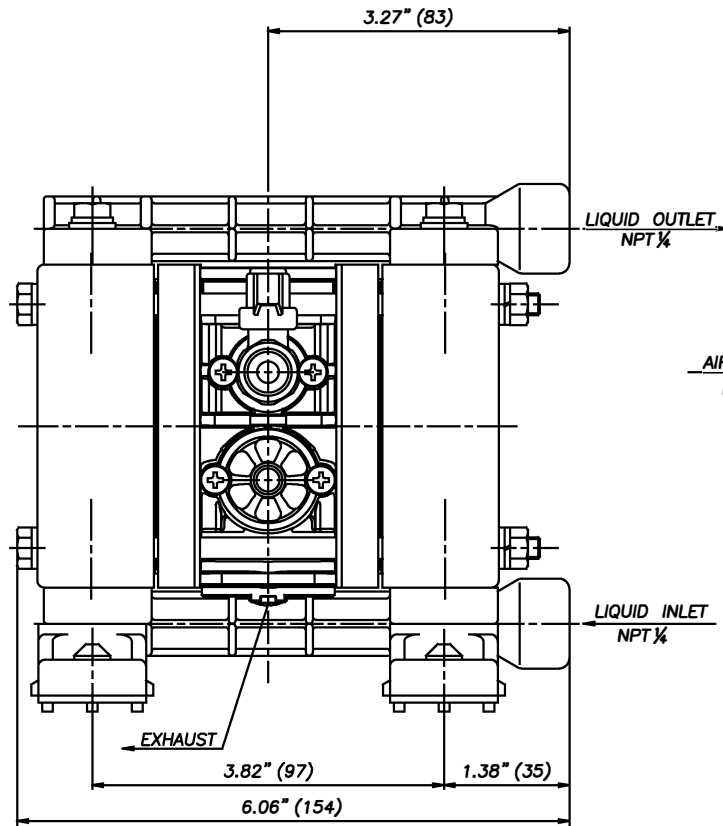
3

2

1

REVISIONS

REV	DESCRIPTION	DATE	APPROVED
A	RELEASED		



NOTES:
1. SOME FEATURES MAY VARY SLIGHTLY.

PROPRIETARY

THIS DRAWING CONTAINS CONFIDENTIAL INFORMATION PROPRIETARY TO IWAKI AMERICA. IT MUST NOT BE REPRODUCED OR FORWARDED TO OTHERS OR USED IN ANY OTHER WAY, IN WHOLE OR IN PART, UNLESS AUTHORIZED IN WRITING BY IWAKI AMERICA.

TOLERANCES

DIMENSIONS IN INCHES UNO

UNLESS OTHERWISE NOTED
X = .050
XX = .010
XXX = .00

DEBURR AND BREAK ALL SHARP EDGES

MATERIAL

SEE CHART

BY

BW

DATE

3/13/2026

SIZE

B

DWG NO.

TC-X00216



www.lwakiAir.com

5 Boynton Rd.
Hopping Brook Park
Holliston, MA 01746
(508) 429-1440

APPROVED

DATE

SCALE:

FULL



THIRD ANGLE PROJECTION

SHEET:

1 OF 1

4

3

2

1